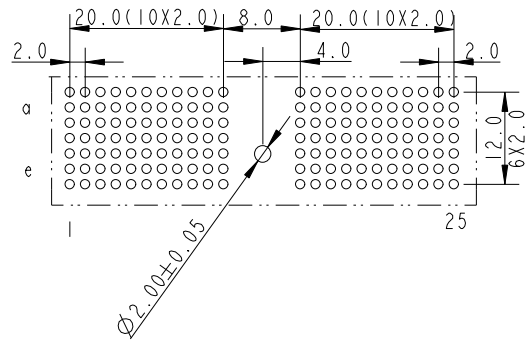
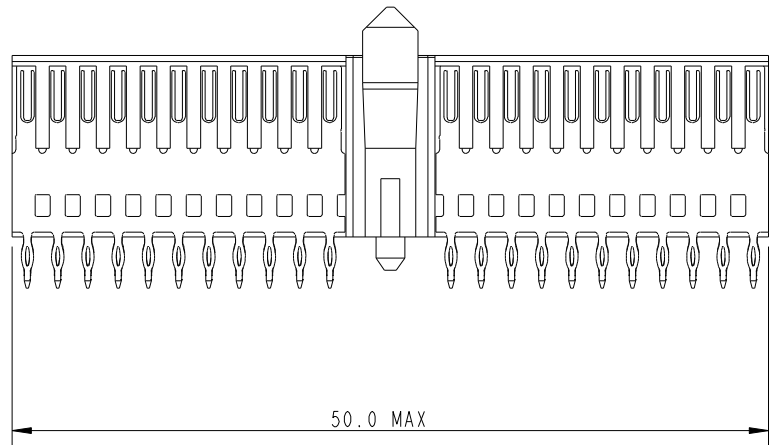
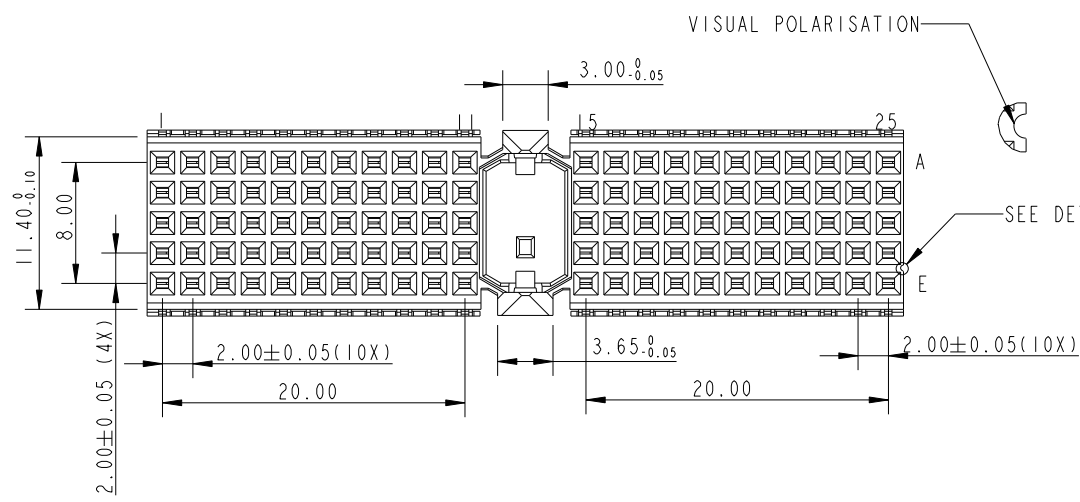


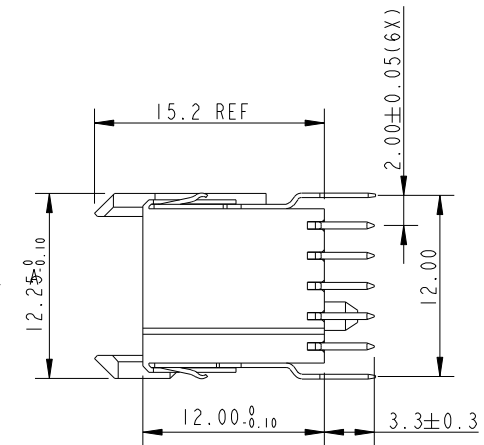
Tous droits strictement réservés. Reproduction ou communication à des tiers interdite sous quelque forme que ce soit sans autorisation écrite du propriétaire. Propriété de c FCI. Droits de reproduction FCI.

**FCI**

All rights strictly reserved. Reproduction or issue to third parties in any form whatever is not permitted without written authority from the proprietor. Property of FCI. Copyright FCI.



LAY OUT  
P.C.B. -HOLE  
  
(FRONT SIDE)



**PERFORMANCE CHARACTERISTICS**

- CURRENT RATING 1.5A AT 20°C (FULLY LOADED)
- 1 A AT 70°C (FULLY LOADED)
- RATED VOLTAGE : 500 V AC (CONT /CONT)
- OPERATING TEMPERATURE : -55°C TO 125°C
- CONTACT RESISTANCE 20 MΩ MAX
- INSERTION FORCE : 0.75N MAX/CONT
- EXTRACTION FORCE : 0.15N MIN/CONT
- INSULATION RESISTANCE : 10<sup>4</sup> MΩ MIN

- NOTES**
1. " " LEAD FREE INDICATOR : LF=LEAD FREE
  - " " PERFORMANCE LEVEL INDICATION (REF DWG NO.BSC .201844.003)
  2. THIS PRODUCT IS CSA APPROVED. THIS PRODUCT IS UL RECOGNIZED.
  3. FOR RECOMMENDED PTH DIMENSIONS REFER DRAWING :BS.A.201572.001
  4. THIS PRODUCT (LF) MEETS EUROPEAN UNION DIRECTIVES AND OTHER COUNTRY REGULATIONS AS DESCRIBED IN GS-22-008

Material		Spec ref	
Mat code		tolerance	projection
Heatreat		1DEC±0.2 1DEC 2DEC±0.1 2DEC ANGLE±1° HOEKEN	⊕ ⊖
Plating/Finish		size A4	Scale 2.000
Dr W.Panis	27-01-95	Product family MILLIPACS	ECN DG05-0278
Eng		Model Name	REL Level
Chr		Model Revision	
Appr			
<b>FCI</b>		title MILLIPACS 2/TYPE A/SHIELDED	Rev. B
Pro/E file	catalog	HM201PE5101	dwg no BSC201907004
PDM: Rev.B		STATUS: Released	
CUSTOMER DRAWING		sheet 1 of 1	